

Relax...

Refresh...

Rejuvenate...



LUKER
JV LUKER USA

Designer Fans



Relax...

Slow down a bit... After all, in life the happiest moments are the minutes you have relished and not long hours or days.

We would love to create more such happy moments in your life. Our fans not only deliver soothing breeze but also the designs are an art to watch and relish.

The truth is that, the real time to relax is when you feel that you don't have time for it.

We have the largest range of fans for any indoor and outdoor applications and would like to welcome you to take a journey through the real world of art of relaxing.

Warm regards

LUKER
JV LUKER USA

Onassis

- Uniquely designed premium under light fan with LED
- Multi-colour options for setting different ambience
- 1550 mm sweep size



Angel

- Uniquely designed premium under light fan with LED
- Multi-colour options for setting different ambience
- 1080 mm sweep size



Augusta

- Uniquely designed premium under light fan with LED
- Multi-colour options for setting different ambience
- 1400 mm sweep size



Douglas

- Premium under light fan with LED and ABS blades
- Multi-colour options for setting different ambience
- 1600 mm sweep size



Cyrus

- Premium under light fan with LED and ABS blades
- Multi-colour options for setting different ambience
- 1300 mm sweep size



Diana

- Uniquely designed premium under light fan with LED
- Multi-colour options for setting different ambience
- 1100 mm sweep size



Matiz

- Premium under light fan with LED in Antique Brass finish
- Multi-colour options for setting different ambience
- 1200 mm sweep size



Alba

- Premium under light fan with LED in Stainless Steel finish
- Multi-colour options for setting different ambience
- 1200 mm sweep size



Ahmoose

High Speed

- Sweep 1320 mm
- Electroplated antique finish
- Perfectly streamlined body
- Four blades for optimum air delivery (250 cmm)

BLACK NICKEL

ANTIQUe BRASS

Sweep (mm)	Power Inputs (watts)	Speed RPM	Air Delivery (CMM)
1320	75	350	250

Khafre

High Speed

- Sweep 1200 mm
- Electroplated antique finish
- Perfectly streamlined body
- Optimum air delivery

ANTIQUÉ COPPER

BRUSHED NICKEL

Sweep (mm)	Power Inputs (watts)	Speed RPM	Air Delivery (CMM)
1200	75	350	230

Khufu

High Speed

- Sweep 1200 mm
- Electroplated antique finish
- Perfectly streamlined body
- Optimum air delivery



BLACK NICKEL



ANTIQUE COPPER

Sweep (mm)	Power Inputs (watts)	Speed RPM	Air Delivery (CMM)
1200	75	350	230

Luxxe



IVORY


LUKER
JV LUKER USA

Luxxe

- Premium under light fan with LED for home decor
- LED light intensity adjustment as per need
- Remote operation for fan and LED



BROWN



WHITE


LUKER
JV LUKER USA

Sweep (mm)	Power Inputs (watts)	Speed RPM	Air Delivery (CMM)
1200	72	400	230

ECO 30

High Speed



WHITE

ECO 30

High Speed

- Energy efficient model
- Consumes less than 50% power
- Wide blades for superior air delivery



BROWN



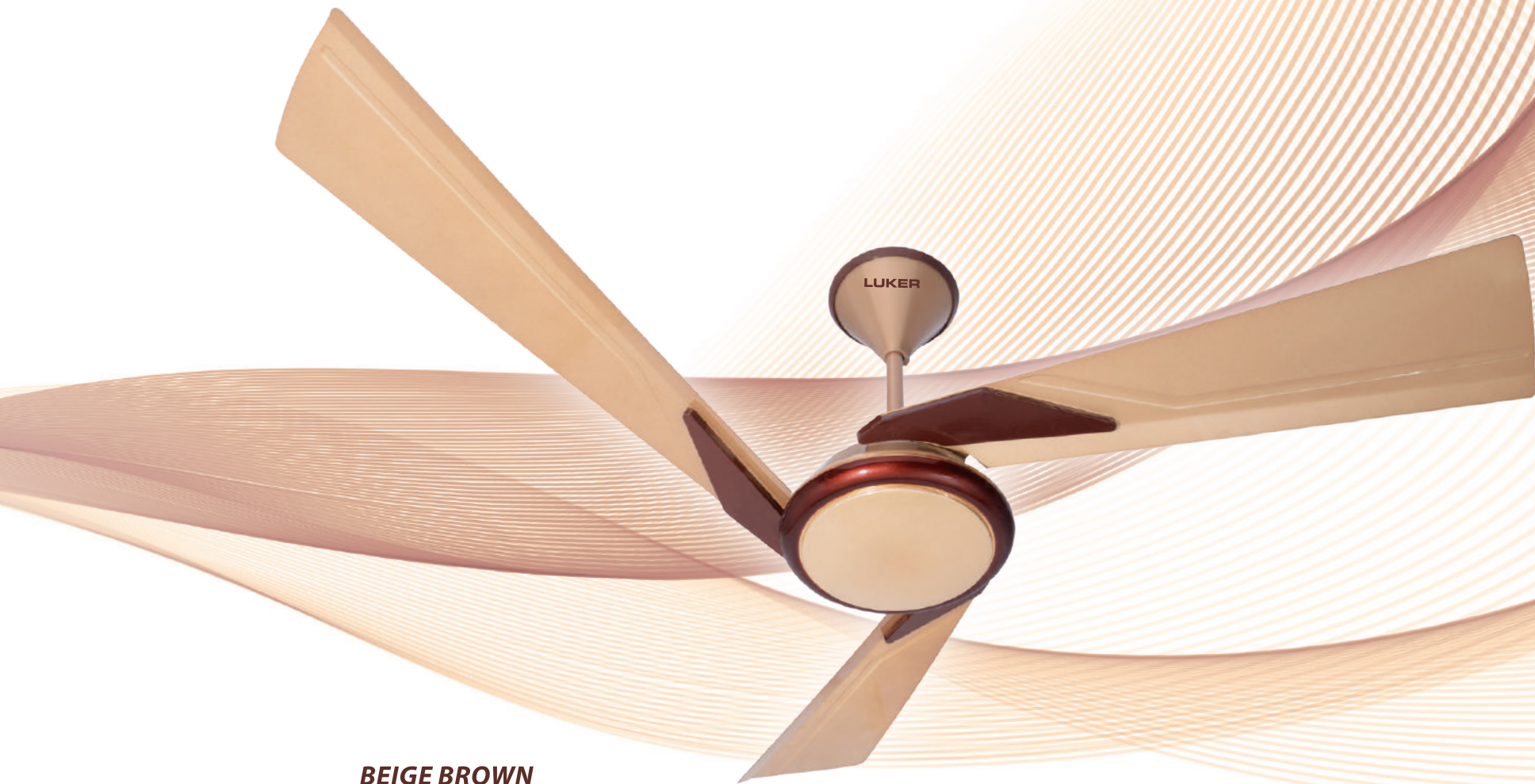
IVORY



Sweep (mm)	Power Inputs (watts)	Speed RPM	Air Delivery (CMM)
1200	30	390	230

Twister

High Speed



BEIGE BROWN

Twister

High Speed

- Contemporary design to complement modern decor
- Metallic finish for superior aesthetics
- Wide blades for high air delivery

BEIGE BROWN

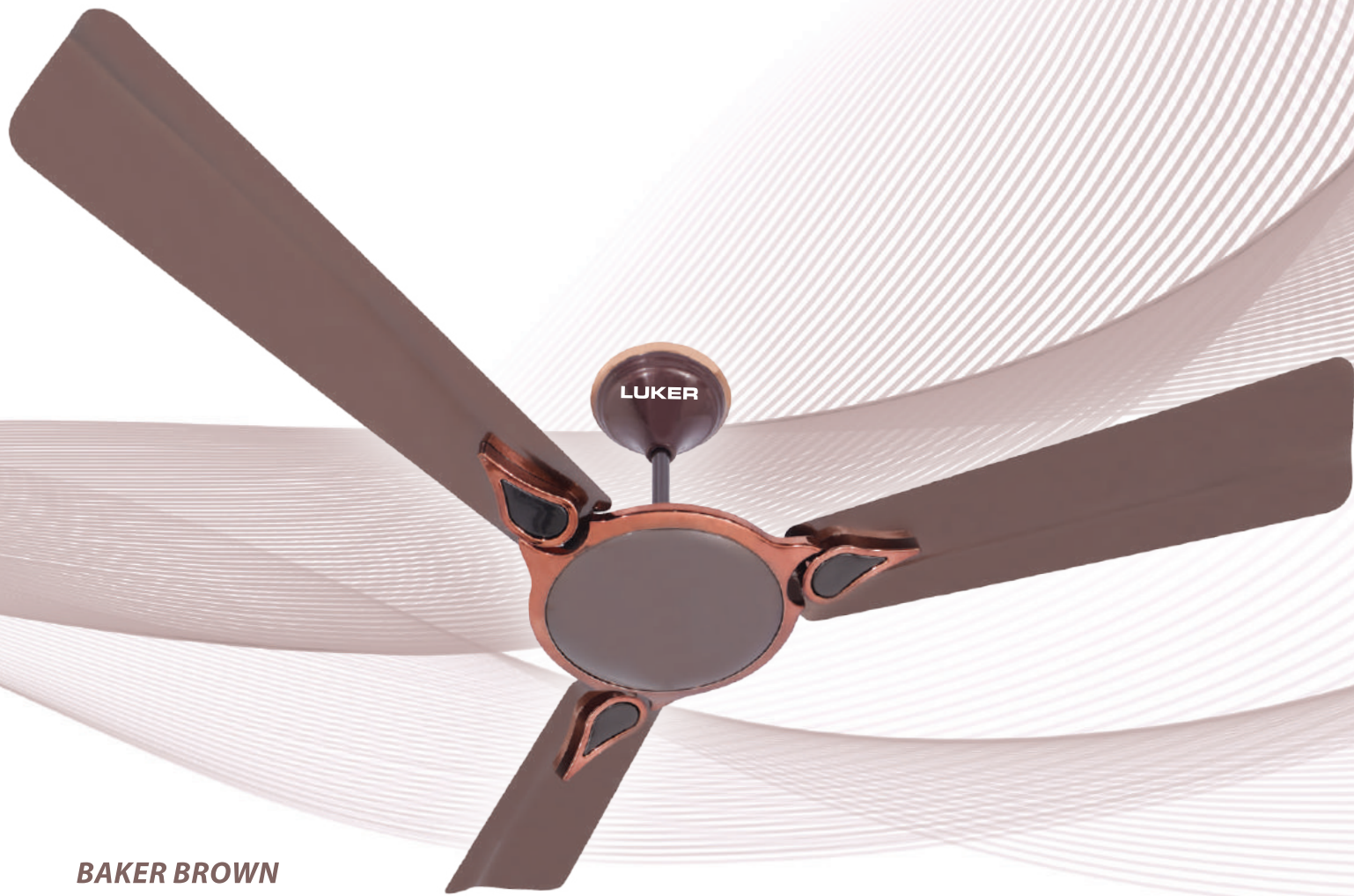


PEARL WHITE



Sweep (mm)	Power Inputs (watts)	Speed RPM	Air Delivery (CMM)
1200	72	390	240

Kizz
High Speed



BAKER BROWN


LUKER
JV LUKER USA

Kizz
High Speed

- Contemporary design to complement modern decor
- Metallic finish for superior aesthetics
- Broad and aerodynamically designed blades for high air delivery



PEARL IVORY BROWN



PEARL WHITE



Sweep (mm)	Power Inputs (watts)	Speed RPM	Air Delivery (CMM)
1200	72	390	240

Crizz
High Speed



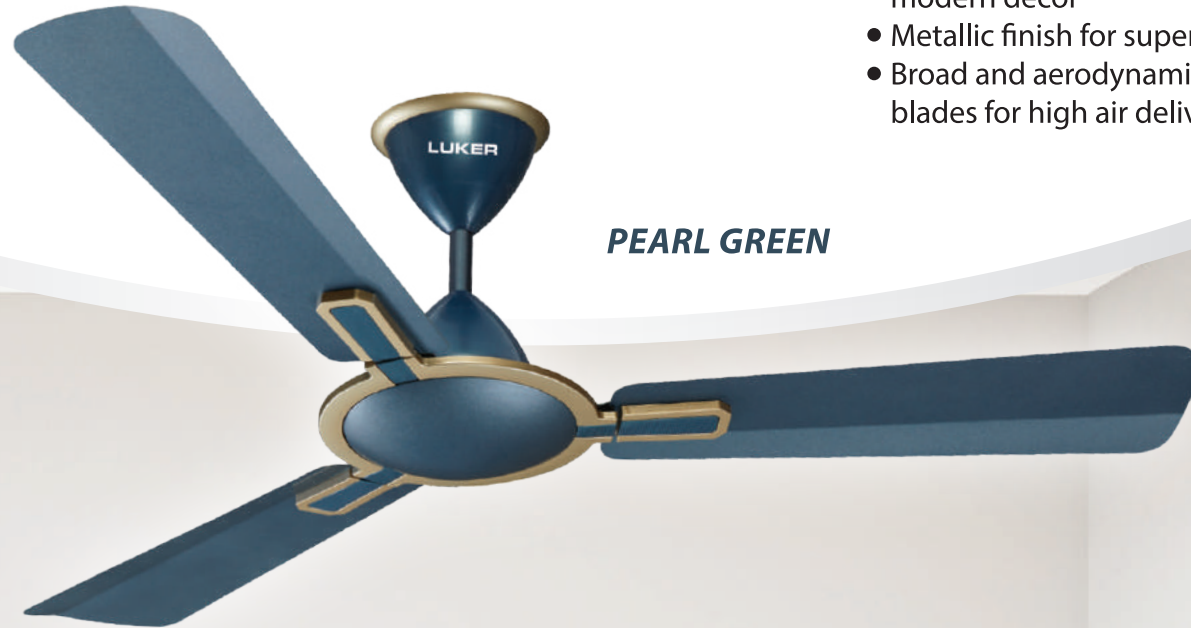
ROSE GOLD


LUKER
JV LUKER USA

Crizz

High Speed

- Contemporary design to complement modern decor
- Metallic finish for superior aesthetics
- Broad and aerodynamically designed blades for high air delivery



PEARL GREEN



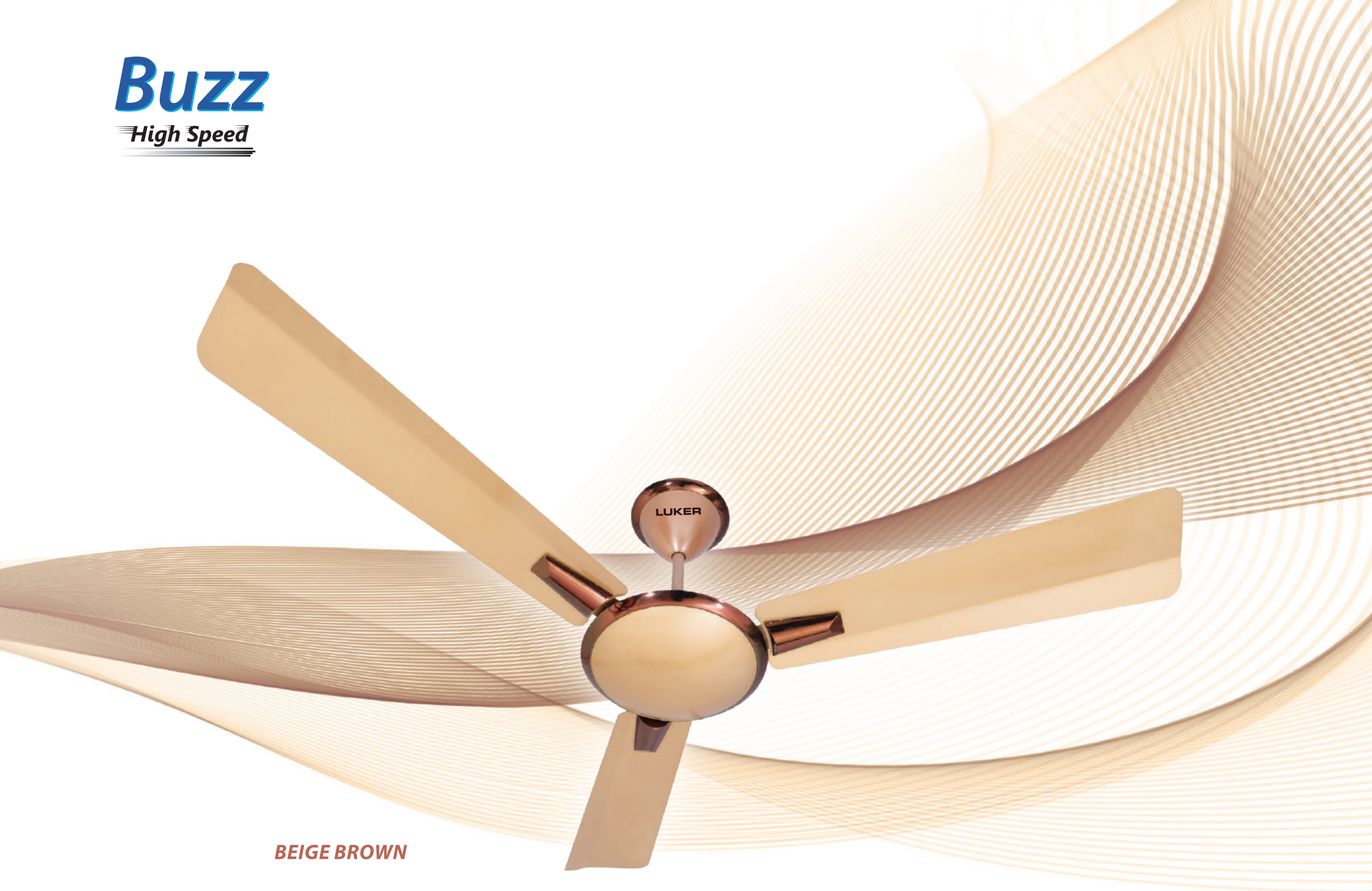
PEARL GREY



Sweep (mm)	Power Inputs (watts)	Speed RPM	Air Delivery (CMM)
1200	72	390	240

Buzz

High Speed



BEIGE BROWN

Buzz

High Speed

- Modern design to suit contemporary decor
- Metallic finish for superior aesthetics
- Available in multiple sweeps

ONYX



TITANIUM



Sweep (mm)	Power Inputs (watts)	Speed RPM	Air Delivery (CMM)
1400	76	300	260
1200	72	390	240
900	62	420	150
600	65	860	120

Flora Delux

High Speed



BLENDING BROWN

Flora Delux

High Speed

- Elegant design to complement modern decor
- Innovative designer fan blade
- Available in stunning colour combinations



BREEZY BLACK



CARMEL GOLD



Sweep (mm)	Power Inputs (watts)	Speed RPM	Air Delivery (CMM)
1200	72	390	240

HS 400

High Speed



METALLIC IVORY

HS 400

High Speed

- Sleek design for superior aesthetics
- Powerful motor for high air delivery
- Broad and aerodynamically designed blades for high air delivery



METALLIC BROWN



METALLIC WHITE



Sweep (mm)	Power Inputs (watts)	Speed RPM	Air Delivery (CMM)
1200	72	400	240

Duster

High Speed



MATTE METALLIC IVORY

Duster

High Speed

- Elegant looks with decorative trims
- Matt Metallic finish for superior aesthetics
- Aerodynamically designed blades for high air delivery

MATTE METALLIC SILVER



COPPER BRONZE



Sweep (mm)	Power Inputs (watts)	Speed RPM	Air Delivery (CMM)
1200	72	390	240

Jones
High Speed



WHITE


LUKER
JV LUKER USA

Jones

High Speed

- Decorative trims on Motors and Blades
- Double ball bearing
- 100% pure copper winding
- Long Lasting performance



SMOKEY BROWN



IVORY



Sweep (mm)	Power Inputs (watts)	Speed RPM	Air Delivery (CMM)
1200	72	390	240

Marta

High Speed



WHITE

Marta

High Speed

- Double ball bearing
- 100% pure copper winding
- Long Lasting performance



LUSTER BROWN



IVORY



Sweep (mm)	Power Inputs (watts)	Speed RPM	Air Delivery (CMM)
1200	72	390	240

Astro
High Speed



WHITE


LUKER
JV LUKER USA

Astro

High Speed

- Die cast Aluminium body for longer durability
- Broad and aerodynamically designed blades for high air delivery
- Available in multiple sweeps



BROWN



IVORY



Sweep (mm)	Power Inputs (watts)	Speed RPM	Air Delivery (CMM)
1400	76	300	260
1200	72	390	240
900	62	420	150
600	65	860	120

Astro Plus

High Speed



WHITE

Astro Plus

High Speed

- Die cast Aluminium body for longer durability
- Broad and aerodynamically designed blades for high air delivery
- Available in multiple sweeps



MATTE BROWN



IVORY



Sweep (mm)	Power Inputs (watts)	Speed RPM	Air Delivery (CMM)
1200	72	390	240

Phonic

High Speed



WHITE

Phonic

High Speed

- Designer trims add to the decor
- Elegant looks with brilliant performance
- Ribbed blades for longer durability



BROWN

LUKER



IVORY



Sweep (mm)	Power Inputs (watts)	Speed RPM	Air Delivery (CMM)
1200	72	390	240

Phonic Plus

High Speed



WHITE

Phonic Plus

High Speed

- Designer trims add to the decor
- Elegant looks with brilliant performance
- Ribbed blades for longer durability



LUSTER BROWN



IVORY



Sweep (mm)	Power Inputs (watts)	Speed RPM	Air Delivery (CMM)
1200	72	390	240

Nano

High Speed



WHITE

Nano

High Speed

- Elegant looks with brilliant performance
- Long lasting performance
- Aerodynamically designed blades



BROWN



IVORY



Sweep (mm)	Power Inputs (watts)	Speed RPM	Air Delivery (CMM)
1200	72	400	230

Nano Plus

High Speed



WHITE

Nano Plus

High Speed

- Elegant looks with brilliant performance
- Long lasting performance
- Aerodynamically designed blades

LUSTER BROWN



IVORY



Sweep (mm)	Power Inputs (watts)	Speed RPM	Air Delivery (CMM)
1200	72	390	240

Astro 600 mm

High Speed



WHITE

Astro 600 mm

High Speed

- Double ball bearing
- 100% pure copper winding
- Long Lasting performance



BROWN



WHITE

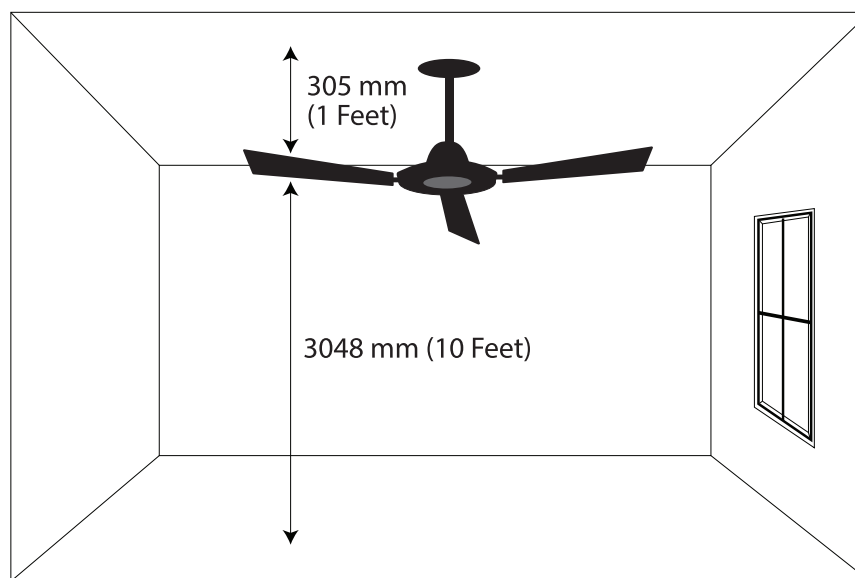


Sweep (mm)	Power Inputs (watts)	Speed RPM	Air Delivery (CMM)
600	72	850	130

BUYERS SELECTION GUIDE

CEILING FANS RECOMMENDED SWEEP FOR DIFFERENT ROOM SIZES

Model Size	Sweep / size (mm)	Suitable for room size
Ceiling Fan	600 mm	For Small Shops, Cabins & Toilets
Ceiling Fan	750 mm	5.5 m ² (6 feet x 10 feet)
Ceiling Fan	900 mm	6.5 m ² (7 feet x 10 feet)
Ceiling Fan	1050 mm	9.3 m ² (10 feet x 10 feet)
Ceiling Fan	1200 mm	14.5 m ² (12 feet x 13 feet)
Ceiling Fan	1400 mm	20.8 m ² (14 feet x 16 feet)



To optimize the air delivery, ceiling fan should be approximately 10 feet from the ground level and 1 foot below the ceiling.

For larger room with more than one fan, the centre distance between each fan would vary with the sweep/size of the fan.

For large halls, auditoriums, offices, install two or more ceiling fans with a space as specified below

Sweep of Fan (mm)	Centre Distance
900 mm	1.8 m (6 feet)
1050 mm	2.1 m (7 feet)
1200 mm	2.4 m (8 feet)
1400 mm	3.0 m (10 feet)



WARRANTY TERMS AND CONDITIONS



The company, Luker Electric Technologies Pvt. Ltd., offers a warranty period of 24* months to buyers of its products under conditions set out hereafter. The warranty period applies to functional defects of the company's range of products, resulting from defectiveness of the material being used or irregularities in the production process, provided that the product is mounted and used in accordance with the manufacturer's instructions and requirements mentioned in the catalogue or instruction manuals provided. Kindly note that different products are provided with different warranty periods and it is mentioned in the product catalogues or may be confirmed with the company before purchase.

Products for which warranty is provided, the manufacturer will repair or replace, at its discretion, with products of the same type and, at least, the same quality at its own expense. The company will not cover any losses caused to property or person, directly or indirectly, with the usage of the company's range of products. The maximum liability due to malfunction of the product is limited only up to the purchase cost of the product.

The warranty is invalid and not applicable in the case of conditions further detailed below:

If the product is not used in accordance with the manufacturer's instructions or the product is used for purposes other than those for which it was designed or the incorrect assembly of the product. If mechanical damage and faults caused by the buyer's or third party's incorrect handling of the product or damage and faults caused by natural disasters (lightning, earthquake, fire, floods etc.) or incorrect electrical voltage (for example, electrical stroke, high voltage surge). If any repairs and interventions on products by unauthorized persons or any modifications of the product done by the customer. Any disputes arising under this warranty clause shall fall only within the jurisdiction of the courts at Ernakulam, Kerala, India.



LUKER ELECTRIC TECHNOLOGIES PVT. LTD.

- Regd. Office** : 34/1912-C1, Mattathil Lane, BTS Road, Kochi-682024, Ernakulam, Kerala
Corp. Office : 2nd Floor, Jain Tower, NH-17 Bypass, Opp. Lulu Mall, Edappally, Kochi-682 024
Ph: +91-8129333131, 9746497564, 9895011400, Email: sales@lukerindia.com
- Factory** : 227, Pollachi Road, Eachanari Village, Coimbatore - 641 02, Ph: +91 9994433151, +91 9447140720
- Tamil Nadu** : Coimbatore: No.22, A.T.T. Colony, First Floor, A.V. Centre, V.O.C. Park Road, Coimbatore-641018
Ph: 0422 2309977, 9994481477
Chennai : No. 11/6, Damodaran Street, Chetpet, Chennai-600031, Ph: +91 9994422007
- Karnataka** : #1583, 13th Main, 20th Cross, B-Block, Sahakar Nagar, Bangalore-560092, Ph: 9739677890
- Hyderabad** : Door No.101, First Floor, Abhinandan Apt, Plot No. E32, Vikrampuri Housing Colony,
Secunderabad-500009, Ph: +91 040-27746268, 9866077902, 9866190316,
Email: hyd@lukerindia.com,
- Mumbai** : 1806, Lodha Supremus, Saki Vihar Road, Opp. M.T.N.L. Building, Andheri (East), Mumbai-400072,
Ph: +91 9820009055, +91 9769207676
- Ahmedabad** : G-102, Smarana Bakeri City, Near Torrent Power, Sonal Cinema Road, Vejalpur, Ahmedabad-380051,
Gujarat, Ph: +91 9687300643, Email: sales@lukerindia.com
- Kolkata** : 7/1 Lord Sinha Road, Lords, Room No. 313, 3rd floor, Kolkata-700 071, Ph: 9007277527
- Representative offices at** : Warangal - 9948546699, Karim Nagar - 8801142143, Kakinada - 9393252573
Mangalore - 7022119165, Chennai - 9994422007, Salem - 9994447996 / 9994013192, Trichy - 8056180666 /
8248401759, Pondicherry - 9994491117, Madurai - 7708111815, Pune - 9890696933, Nagpur - 7774038283,
Nasik - 7769091911, Baroda - 9687300643, Raipur - 7774038283, Bhopal - 7774038283, Vijayawada - 9553770189,
Visakhapatnam - 9246999368, Goa - 9158159062, Indore - 9329754005, Surat - 9825506072, Rajkot - 9825506072,
Jabalpur - 9329754005, Gwalior - 9329754005, Eluru - 7306613030

Luker Electric Technologies Inc.
1 Cragwood RD STE 103A, S Plainfield, NJ 07080, U S A, Ph: +1 (914) 573-1616
www.lukerus.com

Luker Inc.
Dean Park Road,
Scarpoorough,
Toronto, Canada

Luker Inc.
25, Bon Church Road
ELM Grove
Brighton, United Kingdom

Luker Inc.
9 Ivy Court,
Cranbourne North
Victoria 3977, Melbourne

Luker Electric Tech. LLC
173, Road 1111/311
Manama, P.O. Box 1049
Kingdom of Bahrain

Consumer Care No.: 1800 120 2350